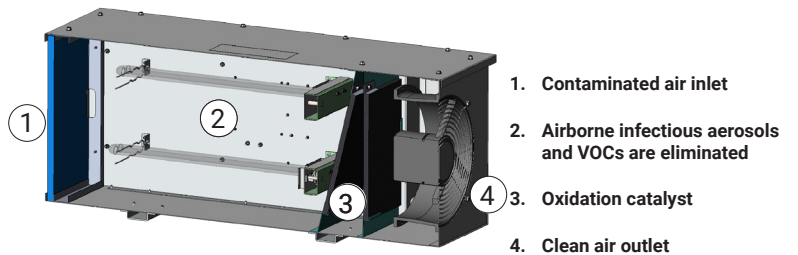


450

Viral Kill 60" Credenza

Features and Benefits

- Utilizes a combination of self-contained ultraviolet light and room temperature oxidation to destroy viruses and Volatile Organic Compounds (VOCs)
- Technology recommended by the Center for Disease Control and Prevention, FDA, EPA and ASHRAE as effective against airborne coronavirus transmission
- Safe for use in occupied spaces 24 hours/day
- Destroys up to 99.9995% of airborne viral aerosols in indoor spaces
- Treats up to 9,000 cubic feet of air per unit
- Easy to clean – no contaminated filters
- Designed to blend into the decor of your space (available in ten finishes and four countertop options)
- Bulb life up to 8,800 hours
- IoT compatible with OpenKitchen (ConnectWare required)
- One-year limited warranty



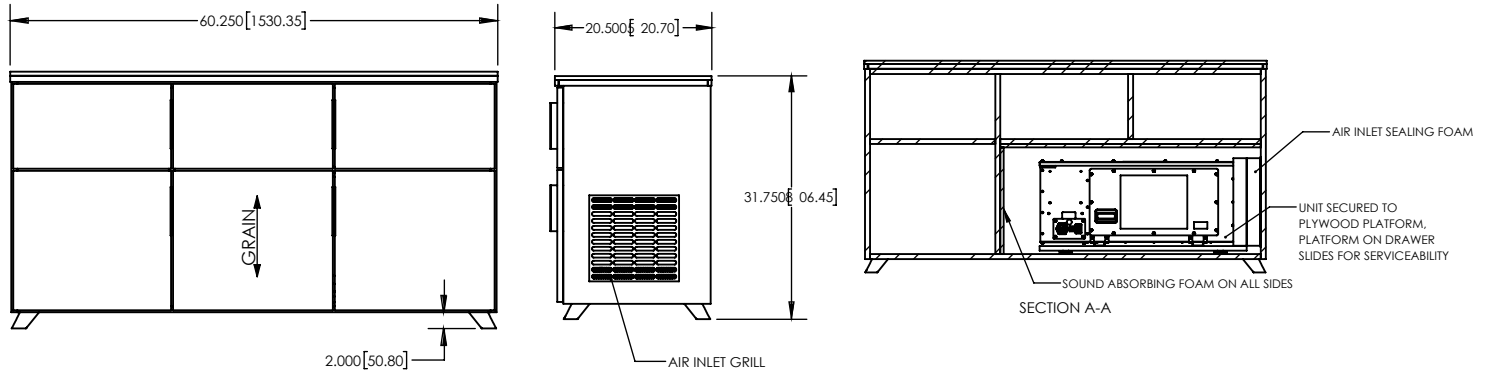
Reduction of MS2
Bluezone 450

Bioaerosol Type	Species	Trial ID		15 min.	30 min.	45 min.	60 min.
Virus	MS2 bacteriophage (RNA E. coli phage)	T1	Net Log Reduction	-1.52	-3.25	-4.25	-5.52
			Net % Reduction	96.9552%	99.9439%	99.9944%	99.9997%
		T2	Net Log Reduction	-1.48	-3.59	-5.05	-5.20
			Net % Reduction	96.7060%	99.9740%	99.9991%	99.9994%
		T3	Net Log Reduction	-1.75	-3.34	-4.50	-5.24
			Net % Reduction	98.2128%	99.9540%	99.9968%	99.9994%
Average Net Log Reduction				-1.58	-3.39	-4.6	-5.32
Average Net % Reduction				97.291%	99.957%	99.9968%	99.9995%

This study was conducted in compliance with FDA Good Laboratory Practices (GLP) as defined in 21 CFR, Part 58 using aerosolized MS-2 bacteriophage, a surrogate for SARS-COV-2, in a room-sized test chamber.

450

Viral Kill 60" Credenza



CREDENZA ONLY SPECIFICATIONS	
Dimensions	60.25" X 20.5" X 31.75" (1530 mm X 521 mm x 806 mm)
Weight	237 lb. (108 kg.)
Shipping Dimensions/Weight LTL Freight Class 250	66" x 24" x 38" (1676 mm x 610 mm x 965 mm) / 312 lb. (142 kg.)

BLUEZONE UNIT ONLY SPECIFICATIONS	
Dimensions	31" X 15" X 13.5" (79cm X 38cm x 34cm)
Weight	26 lb. (11 kg.)
Shipping Dimensions/Weight	36" x 20" x 20" (914 mm x 508 mm x 508 mm) / 28 lb. (13 kg.)
Input Voltage and Current	120 VAC, 1-phase, 3 amps 240 VAC, 1-phase, 1.5 amps
Electrical Connection	IEC 320-C13
Operating Environment	-4° F – 150°F / -20° C – 65° C
Flow Rate	Up to 9,000 cubic feet
Power	310 Watts max at 120 VAC. 350 Watts max at 240 VAC
Certifications	cETLus Listed CE Mark UL 2998 zero ozone emissions